

- Rockchip ARM 2x Cortex-A72 and 4x Cortex-A53 64-bit RK3399 up to 1.8GHz.
- Onboard 2GB DDRIII Memory and 8GB eMMC.
- Dual Channel 30/24/18bit LVDS, HDMI2.0 4k at 60Hz, eDP1.3 (4 lanes with 10.8Gbps), support HDMI In.
- On-chip Mali-T864 GPU, support 4K H.264/H.265 video decoder.
- Onboard WiFi/BT modules, mini-PCIE for 4G option with SIM slot.
- 7x USB (3.0/2.0) ,6x UART,1x GbE Lan, 1x TF Slot.
- Support Android8.1 and Android7.1

Introduction

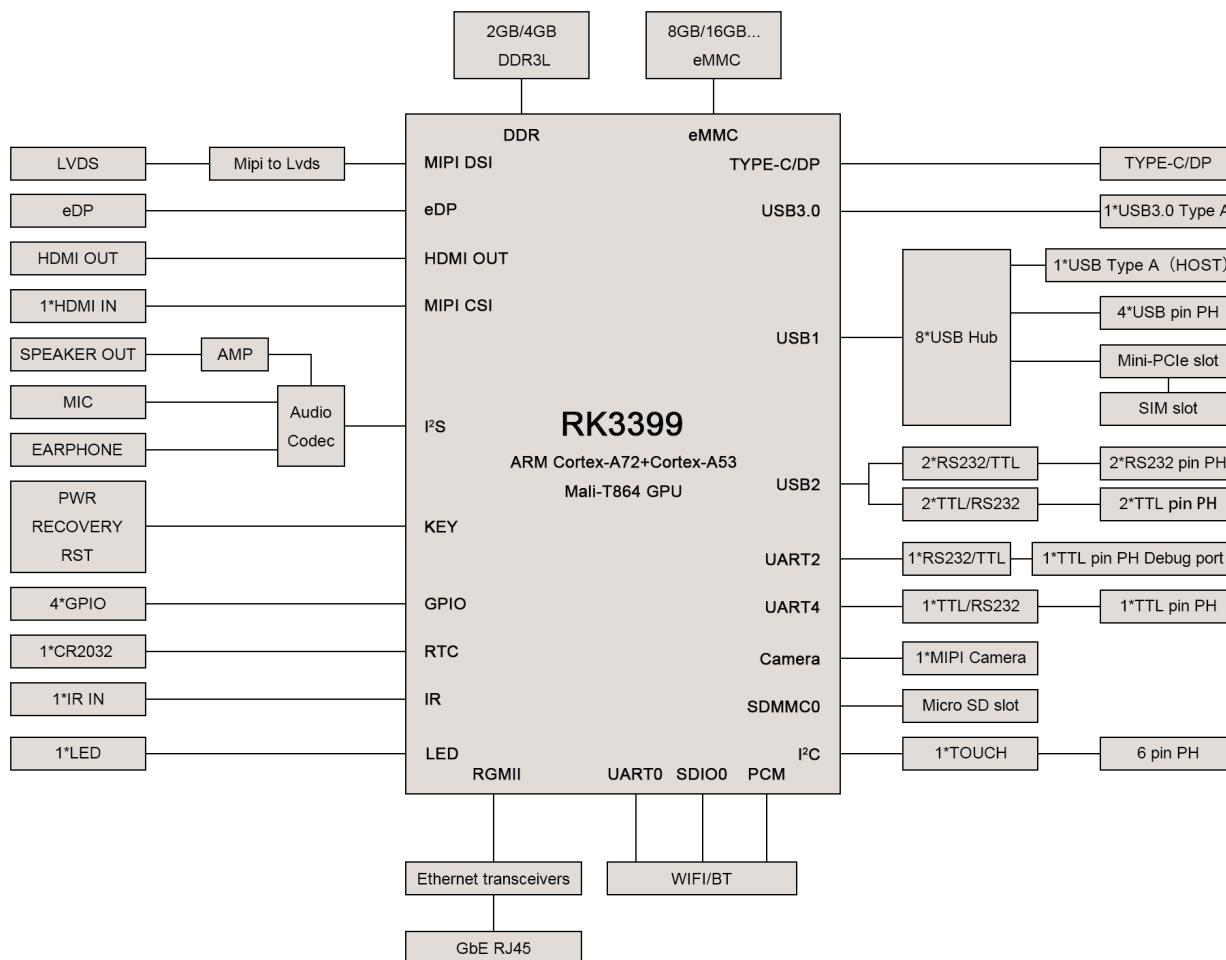
DJ-3399A-V3.0 are low power, high performance 3.5-inch industrial Android Motherboard based on Rockchip RK3399 Six Core (Dual-core Cortex-A72 and Quad-core Cortex-A53) 64-bit application processor, frequency at 1.8GHz, integrated Mali- T864 GPU, perfect support 4K, H.265/H.264 video decoding, the motherboard also exposes wide range of high-speed and advanced interfaces such as Gbit Ethernet, Mini-PCle, HDMI input / output, GPIO, audio, MIPI DSI, UART, USB and many more.

It ideal for Smart Embedded Device, Self-service terminal, IoT device, AI edge computer, Medical Device, HMIs, Robotics, Smart Home, Digital Signage, Industrial control products.

Specifications

CPU	Rockchip ARM 2x Cortex-A72 and 4x Cortex-A53 64-bit RK3399 up to 1.8GHz	I/O	1x MIPI Camera Interface (4 Lanes 30Pin header) 4x GPIO via pin header 1x Buttons (Reset Button, Recover Button, Power Button) 2x LEDs (red, blue) 1x IR circuit, support infrared remote control
GPU	Mali-T864 GPU, support OpenGL ES1.1/2.0/3.0/3.1, OpenVG1.1, OpenCL, DX11	RTC	Support
Memory	Onboard 2GB DDR3 (optional 4GB)	Sleep/ Wake up	Support
Storage	Onboard 8GB eMMC Nand Flash (option 16GB/32GB/64GB)	OS Upgrade	Upgrade via Type-C, or U-Disc
Ethernet	1x RJ45 LAN, 10/100/1000Mbps 1x Mini PCIe slot with SIM Card Slot, support 3G/4G Onboard Wi-Fi/BT Module, support 802.11 b/g/n and BT4.0	Power Supply	DC-in 12V, 1x DC-in Slot, 1x 4Pin header
Display	1x 30/24/18-bit LVDS with 1920*1080 for dual channels at 60Hz (30Pin header) with touch screen control (I2C, 6Pin header) 1x eDP (20Pin header) 1x HDMI OUT,4k at 60Hz 1x HDMI IN(24Pin header)	Temperature	Operating Temperature: -20C° - 60C° Humidity: 5%~95%RH, no condensation Storage Temperature: -40C° - 85C° Humidity: 5%~95%RH, no condensation
USB	1x USB3.0 Type C 1x USB3.0 Type A 1x USB2.0 Type A 4x USB2.0 Pin header	Dimensions (W x D)	146 x 102mm
UART	6x 4-wire RS232/TTL, Pin header	OS	Android 8.1 and Android 7.1
Audio	1x 3.5mm Head phone slot 1x MIC In (2Pin header) 1x Speaker Out (4Pin header) With 2x 20W power amplifier out, support t Left and right channels		

Block Diagram



Size&Interface

